



# AMIABLE

## MANUFACTURERS & EXPORTER OF COPPER FLEXIBLE LAMINATED SHUNTS



CPRI, Bangalore

ISO 9001:2008

We as Amiable are the Manufacturer for Copper Braids and Copper Flexible Connectors and Laminated Copper Flexible Connectors

Our Firm AMIABLE IMPEX, is well established organization in India and overseas market and Manufactures and Export the following products :

- 01) Copper Braided & Laminated Connectors
- 02) Exothermic Weld Powder & Graphite Molds
- 03) Brass Parts Components, Accessories and Fittings

As one of India's most respected corporations, we have earned good reputation amongst our customers with Quality Assurance, On time delivery and High Customer Satisfaction. To ensure consistent product quality, we work within a quality system that is approved with:

**ISO 9001 - 2008 certification**

**ISO 14001 certification**

**ISO 18001 certification**

**GMP Standard**

**CE Compliance**

**ROHS Compliance**

Our Exothermic Weld Powder meets IEEE 837-2002 Standard & Certified by CPRI - Govt. for Short Circuit Current Testing and we are Crisil Verified Company.

Strict quality checks are carried out at different stages of manufacturing and only that material which passes stringent norms finds its way in the market around the Globe.

**Any kind of special products made from Brass, Copper, Gunmetal, Bronze, Cast Iron, Malleable Iron & PVC can be developed, manufactured and supplied exactly as per customer specifications.**

Our customer bases are distributors, wholesalers, electrical contractors and installers, maintenance people, government bodies, equipment manufacturers etc...

We always believe in the power of our brands in doing the right thing.

"We understands our Customers Values"

## COPPER FLEXIBLE LAMINATED SHUNTS

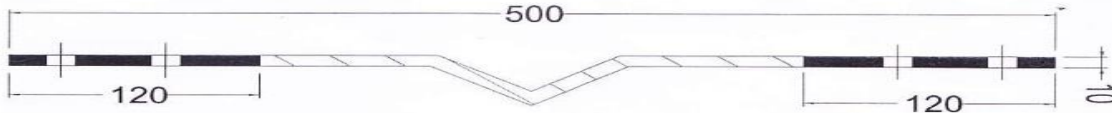
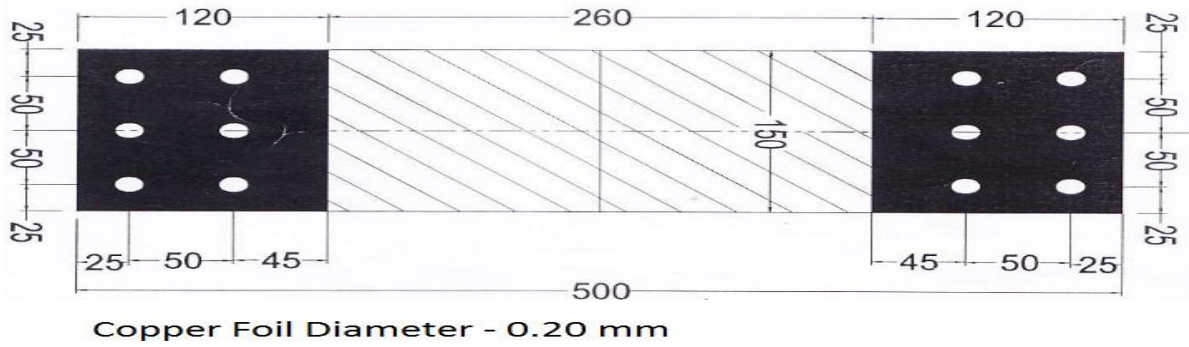
**FLEXIBLE LAMINATED SHUNTS** are custom designed to customer requirements and specifications and are available in any hole pattern or size. The secondary conductor strips are of High Conductivity Copper. Terminal ends can either be deep riveted or solder dipped to allow a more positive current transfer area for improved efficiency.

Copper flexible laminated shunts are manufactured by stacking several foils of Electrolytic Copper (0.035 to 0.3 mm thick) and then forging it by applying high current under high pressure. This is a special metal diffusion process whereby the metal itself melts and forms homogenous bond thus giving a very negligible, almost nil milivolt drop across the connector, thereby reducing the temperature rise & increasing the current carrying capacity of the jumper. In this process, no filler metal is used to join layers together. They have a constant cross section over whole length. The current carrying capacity of solid bus bar and Copper laminated jumper manufactured by this process is same. Therefore these jumpers are a substitute of solid bus bar. It is also possible to drill, saw or mill the contact areas without any problem.

These type of flexible connectors are used as flexible expansion joints in order to connect bus bars in Switchgear Industries, Power Plants, Caustic Soda & Chlorine Plant using Mercury Cell, Modular Cell, Membrane Cell, Diaphragm Cell, Hydrochloride Cell, Manganese Dioxide Cell and Cathodic Protection, Bus Ducts, Transformer, V.C.B., Resistance welding equipment's, Electric Locomotives, Furnaces etc. to prevent damages by other parts of machines or switchgear. These kinds of jumpers have to realize movements inside machines and switchgear. These jumpers are individually designed and manufactured keeping in view, the user requirements and application. We also offer jumpers with contact area electro - tinned, Silver plated or Gold plated to give perfect contact.



**INQUIRY FORMAT STYLE:**



If any shape require than additional drawing specification also require

If want to order Please mention:

- 1) Total Width
- 2) Total Thickness
- 3) Fusion Welded Width on Left end
- 4) Fusion Welded Width on Right end
- 5) Hole Dimension and Hole Size
- 6) Total Length
- 7) Copper Foil Diameter
- 8) Plating Require if any
- 9) Any other Shape in Fusion Welded Req.



**Fields Name:**

**We are manufacturer and supplier of Copper Braids like:**

**Copper Braided, Copper Braided Connector, Laminate Copper Flexible Jumper Copper Braided Flexible Connector, Copper Braid, Flexible Copper Laminated Shunt, Copper Braids, Copper Braided Bond, Laminated Copper Shunts, Copper Braided Straps, Copper Braided Earth Straps, Tinned Copper Braided, Copper Laminate Flexible Shunt, Laminated Copper, Copper Flexible Laminated Shunts, Tinned Copper Braided Connector, Tinned Copper Braided Flexible Connector, Tinned Copper Braid, Tinned Copper Braids, Tinned Copper Braided Bond, Tinned Copper Braided Straps, Tinned Copper Braided Earth Straps.**



# AMIABLE IMPEX

Regd. Office - **AMIABLE IMPEX.**  
101/A, Surya Darshan, Pai Nagar,  
Borivali(W), Mumbai – 400092. India.  
Phone: +91-22-28933996 / +91-9594899995  
E-mail: info@amiableimpex.com

Admin. Office - **AMIABLE IMPEX.**  
501/A, Surya Darshan, Pai Nagar,  
Borivali (W), Mumbai – 400092. India.  
Phone: 022-28933996

Factory Address: **Amiable**  
Shed No. A II, Hitech Industrial Complex,  
Old Satpati Road, Palghar West,  
Palghar - 401404  
Email id - info@tinnedcopperbraid.com

Contact Person - **MAULIK SHAH**  
E-mail: maulik@amiableimpex.com  
Mob :+ 91- 9594899995

**Website: [www.amiableimpex.com](http://www.amiableimpex.com)**





### Amiable Impex Sales are Worldwide

Amiable Impex sells in India at Ahmedabad, Pune, Delhi, Mumbai, Bangalore, Chennai, Kolkata, Surat, Lucknow, Kanpur, Nagpur, Indore, Bhopal, Vadodara(Baroda), Andhra Pradesh - Hyderabad , Arunachal Pradesh - Itanagar, Assam - Dispur, Bihar - Patna , Chhattisgarh - Raipur , Goa - Panaji ,Gujarat - Ahmedabad , Haryana - Chandigarh , Himachal Pradesh - Shimla , Srinagar, Jharkhand - Ranchi , Karnataka, Kerala - Thiruvanthapuram , Madhya Pradesh - Bhopal , Maharashtra - Mumbai , Orissa - Bhubaneshwar , Punjab - Chandigarh , Rajasthan - Jaipur , Sikkim , Tamil Nadu - Chennai , Uttar Pradesh - Lucknow , Uttaranchal - Dehradun , West Bengal - Kolkata.

We can also export to Countries like Afghanistan - Kabul, Albania - Tirane, Algeria - Algiers, Andorra - Andorra la Vella, Angola - Luanda, Antigua and Barbuda - Saint John's, Argentina - Buenos Aires, Armenia - Yerevan, Australia - Canberra, Austria - Vienna, Azerbaijan - Baku, The Bahamas - Nassau, Bahrain - Manama, Bangladesh - Dhaka, Barbados - Bridgetown, Belarus - Minsk, Belgium - Brussels, Belize - Belmopan, Benin - Porto-Novo, Bhutan - Thimphu, Bolivia - La Paz, Sucre, Bosnia and Herzegovina - Sarajevo, Botswana - Gaborone, Brazil - Brasilia, Brunei - Bandar Seri Begawan, Bulgaria - Sofia, Burkina Faso - Ouagadougou, Burundi - Bujumbura, Cambodia - Phnom Penh, Cameroon - Yaounde, Canada - Ottawa, Cape Verde - Praia, Central African Republic - Bangui, Chad - N'Djamena, Chile - Santiago, China - Beijing, Colombia - Bogota, Comoros - Moroni, Congo Republic of the - Brazzaville, Congo, Democratic Republic of the - Kinshasa, Costa Rica - San Jose, Cote d'Ivoire - Yamoussoukro, Abidjan (de facto), Croatia - Zagreb, Cuba - Havana, Cyprus - Nicosia, Czech Republic – Prague, Denmark - Copenhagen, Djibouti - Djibouti, Dominica - Roseau, Dominican Republic - Santo Domingo, East Timor (Timor-Leste) - Dili, Ecuador - Quito, Egypt - Cairo, El Salvador - San Salvador, Equatorial Guinea – Malabo, Eritrea - Asmara, Estonia - Tallinn, Ethiopia - Addis Ababa, Fiji - Suva, Finland - Helsinki, France - Paris, Gabon - Libreville, The Gambia - Banjul, Georgia - Tbilisi, Germany - Berlin, Ghana - Accra, Greece - Athens, Grenada - Saint George's, Guatemala - Guatemala City, Guinea - Conakry, Guinea-Bissau - Bissau, Guyana - Georgetown, Haiti - Port-au-Prince, Honduras - Tegucigalpa, Hungary - Budapest, Iceland - Reykjavik, India - Delhi, Indonesia - Jakarta, Iran - Tehran, Iraq - Baghdad, Ireland - Dublin, Israel - Jerusalem, Italy - Rome, Jamaica - Kingston, Japan - Tokyo, Jordan - Amman, Kazakhstan - Astana, Kenya - Nairobi, Kiribati - Tarawa Atoll, Korea, North - Pyongyang, Korea, South - Seoul, Kosovo - Pristina, Kuwait - Kuwait City, Kyrgyzstan - Bishkek, Laos - Vientiane, Latvia - Riga, Lebanon - Beirut, Lesotho - Maseru, Liberia - Monrovia, Libya - Tripoli, Liechtenstein - Vaduz, Lithuania - Vilnius, Luxembourg - Luxembourg, Macedonia - Skopje, Madagascar - Antananarivo, Malawi - Lilongwe, Malaysia - Kuala Lumpur, Maldives - Male, Mali - Bamako, Malta - Valletta, Marshall Islands - Majuro, Mauritania - Nouakchott, Mauritius - Port Louis, Mexico - Mexico City, Micronesia, Federated States of - Palikir, Moldova - Chisinau, Monaco - Monaco, Mongolia - Ulaanbaatar, Montenegro - Podgorica, Morocco - Rabat, Mozambique - Maputo, Myanmar (Burma) - Rangoon (Yangon); Naypyidaw or Nay Pyi Taw, Namibia - Windhoek, Nauru, Nepal - Kathmandu, Netherlands - Amsterdam; The Hague, New Zealand - Wellington, Nicaragua - Managua, Niger - Niamey, Nigeria - Abuja, Norway - Oslo, Oman - Muscat, Pakistan - Islamabad, Palau - Melekeok, Panama - Panama City, Papua New Guinea - Port Moresby, Paraguay - Asuncion, Peru - Lima, Philippines - Manila, Poland - Warsaw, Portugal - Lisbon, Qatar - Doha, Romania - Bucharest, Russia - Moscow, Rwanda - Kigali, Saint Kitts and Nevis - Basseterre, Saint Lucia – Castries, Saint Vincent and the Grenadines - Kingstown, Samoa - Apia, San Marino - San Marino, Sao Tome and Principe - Sao Tome, Saudi Arabia - Riyadh, Senegal - Dakar, Serbia - Belgrade, Seychelles - Victoria, Sierra Leone - Freetown, Singapore - Singapore, Slovakia - Bratislava, Slovenia - Ljubljana, Solomon Islands - Honiara, Somalia - Mogadishu, South Africa - Pretoria, Cape Town, Bloemfontein, South Sudan - Juba, Spain - Madrid, Sri Lanka - Colombo; Sri Jayewardenepura Kotte, Sudan - Khartoum, Suriname - Paramaribo, Swaziland - Mbabane, Sweden - Stockholm, Switzerland - Bern, Syria - Damascus, Taiwan - Taipei, Tajikistan - Dushanbe, Tanzania - Dar es Salaam; Dodoma, Thailand - Bangkok, Togo - Lome, Tonga - Nuku'alofa, Trinidad and Tobago - Port-of-Spain, Tunisia - Tunis, Turkey - Ankara, Turkmenistan - Ashgabat, Tuvalu - Vaiaku village, Funafuti province, Uganda - Kampala, Ukraine - Kyiv, United Arab Emirates - Abu Dhabi, United Kingdom - London, United States of America - Washington D.C., Uruguay - Montevideo, Uzbekistan - Tashkent, Vanuatu - Port-Vila, Vatican City Holy See) - Vatican City, Venezuela - Caracas, Vietnam - Hanoi, Yemen - Sanaa, Zambia - Lusaka, Zimbabwe - Harare